



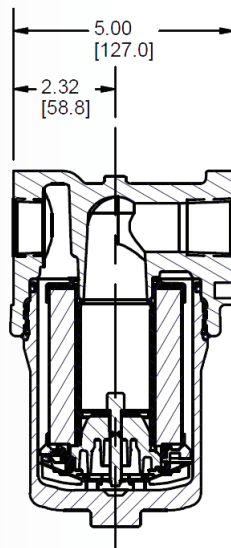
LPG/NH₃ High Capacity Dispensing Filter ME680 SERIES

APPLICATION:

The new ME680 LPG/NH₃ Dispenser Filter is designed to remove 99.9% of solid contaminants. These contaminants can be introduced into the system during the refining process from holding tanks as well as the delivery trucks used to transport the liquid fuel. This filter is used to protect critical engine components such as fuel injectors on propane powered vehicles which include: shuttle buses, delivery trucks and vans, taxi cabs, lift trucks, as well as turf maintenance vehicles.

The filter housing is constructed from high strength forged aluminum. The entire housing is epoxy coated for long term outdoor use. There are two internal primary seals inside the filter element used to prevent contaminants from entering into the downstream. There is a 1" hex nut located on the bottom of the bowl for easy removal and maintenance.

The element is constructed of pleated micro glass media, reinforced with an epoxy coated wire for added strength and corrosion resistance. This pleated element design offers a higher contaminant-loading capacity and offers a lower pressure drop than other standard elements. This element also has a pleated steel inner retainer for additional strength and durability.

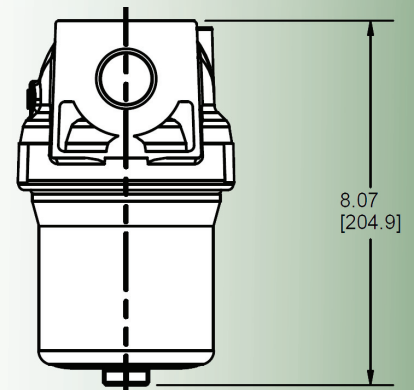


SPECIFICATIONS:

- Port Size:** 1" NPT
- Max Pressure:** 350 PSIG (24.1 barg)
- Max. Temp:** 175° F (79° C)
- Head Material:** Aluminum
- Internal Components:** Stainless Steel
- Bowl:** Aluminum
- Seals:** Nitrile
- Weight:** 5.5 lbs (2.5 kg)
- Length:** 8.07" (204.9 mm)
- Width:** 5.00" (127.0 mm)

FEATURES:

- High-grade forged aluminum body construction
- Durable powder coated exterior
- 5/16-18 UNC tapped mounting holes for easy installation
- 1" hex nut on bottom of bowl for easy maintenance
- Pleated element offers higher contaminant loading capacity and lower pressure drop
- 35 GPM/LPG @ 6.2 PSI pressure differential
- Removes solid contaminants from LPG/NH₃ (20 micron rated element)
- 1" FNPT inlet/outlet connections
- 350 PSI maximum pressure
- 1/4" FNPT plugged ports both upstream and downstream of the filter element



Part No.	Description	Inlet	Outlet	Filter Element	Flow Rate *
ME680-8	High Capacity Dispensing Filter	1" FNPT	1" FNPT	20 micron	35 GPM/LPG
Replacement Parts					
Part No.	Description				
ME680-8-ERK	1" High Capacity Replacement Filter Element Kit - includes element, O-rings & lubricant				



OH 800-537-7518 | KY 800-448-9504 | IN 800-662-3252 | MO 800-821-3878 | MN 800-328-6291
Your questions answered by the people who know propane equipment.

